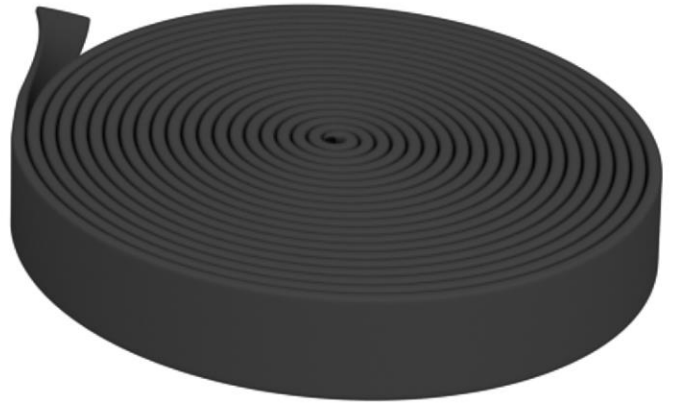
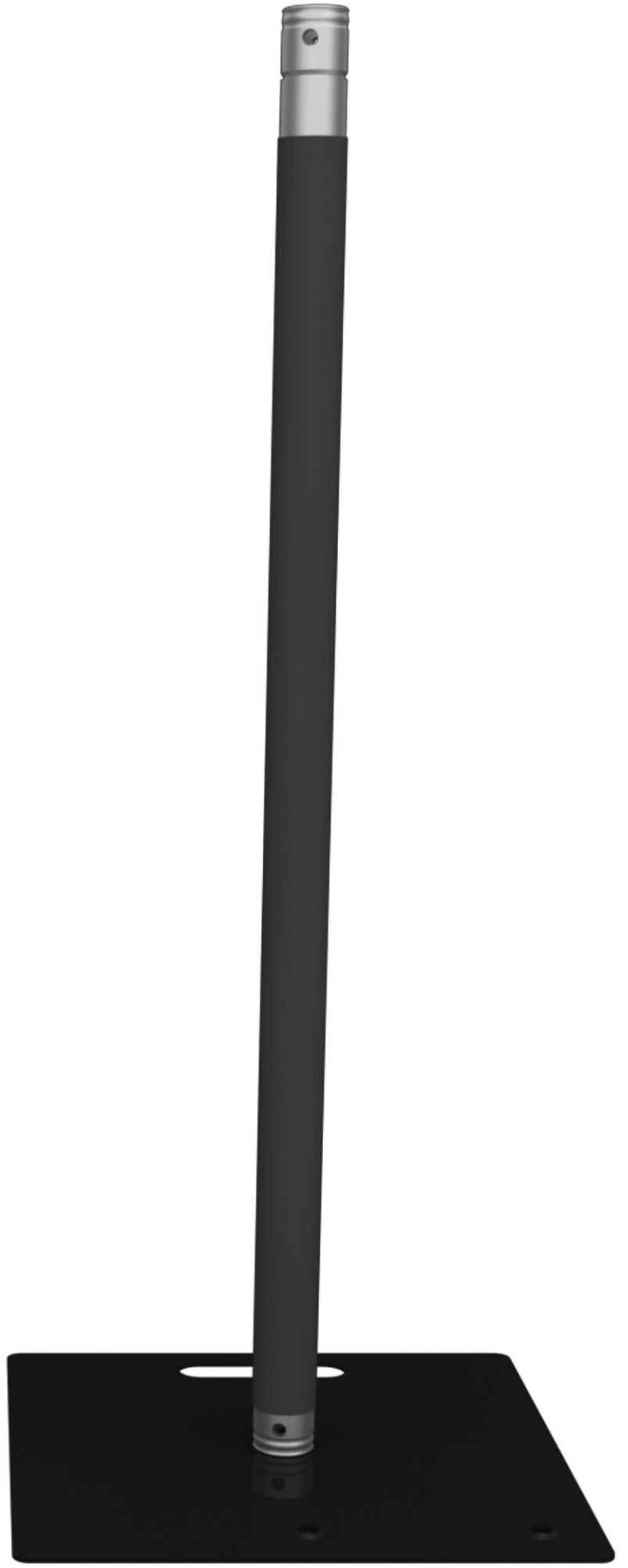
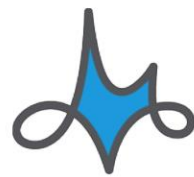


PIPE COVER ROLLS

INSTALLATION & MAINTENANCE GUIDE



FABRIC PIPE COVERS AT ANY LENGTH THAT YOU DESIRE



MOSS
WE ARE PLACE MAKERS™

TABLE OF CONTENTS

1.0	Before you build	3
	Proper fabric handling.....	3
	Included parts and recommended tools	3
2.0	Product installation	4 - 6
	Surface preparation	4
	Correct length calculations	5
	Installation	6
3.0	Fabric care	7
	USF Storage notes and methods	7
	USF Cleaning and fabric care	7

Install questions?

**Contact us. We are here to
help you succeed!**

1.888.370.0202



BEFORE YOU INSTALL

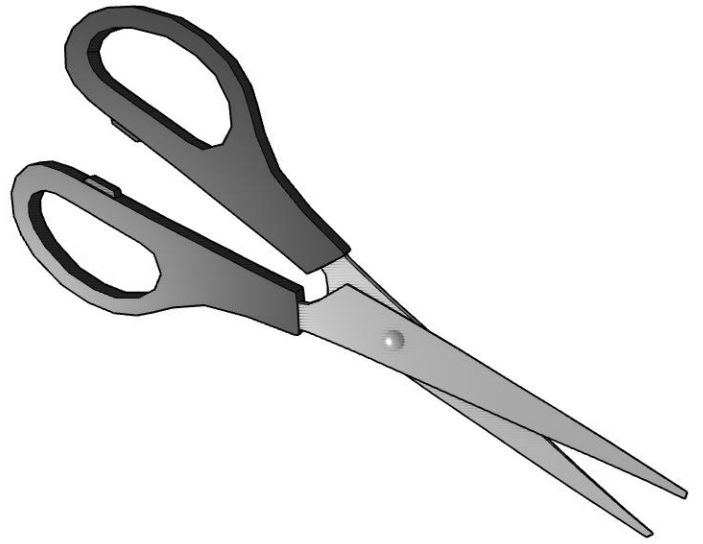
Proper Fabric Handling

To avoid smudges and dirt buildup on your fabric, always install your product using nitrile gloves. Even clean hands can leave an oily residue on the fabric surface that attracts dirt and dust. Additionally, consider using drop cloths or plastic sheeting on the floor to maintain a clean working environment free of debris.

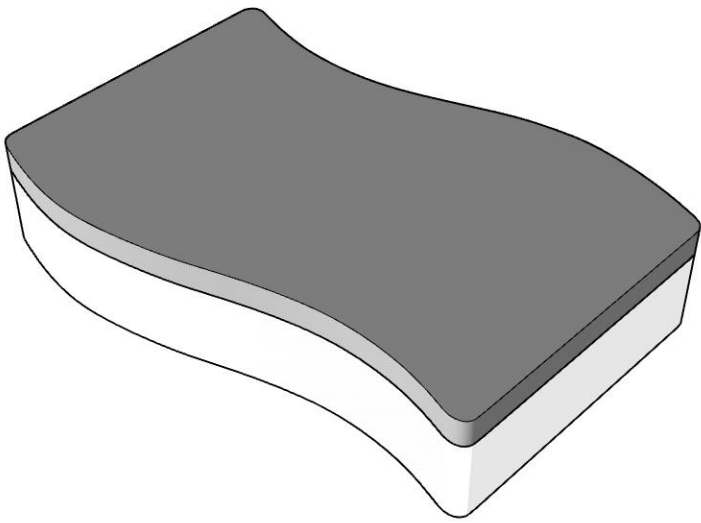
Recommended Tools



Tape Measure



Sharp Scissors



Cleaning Tool



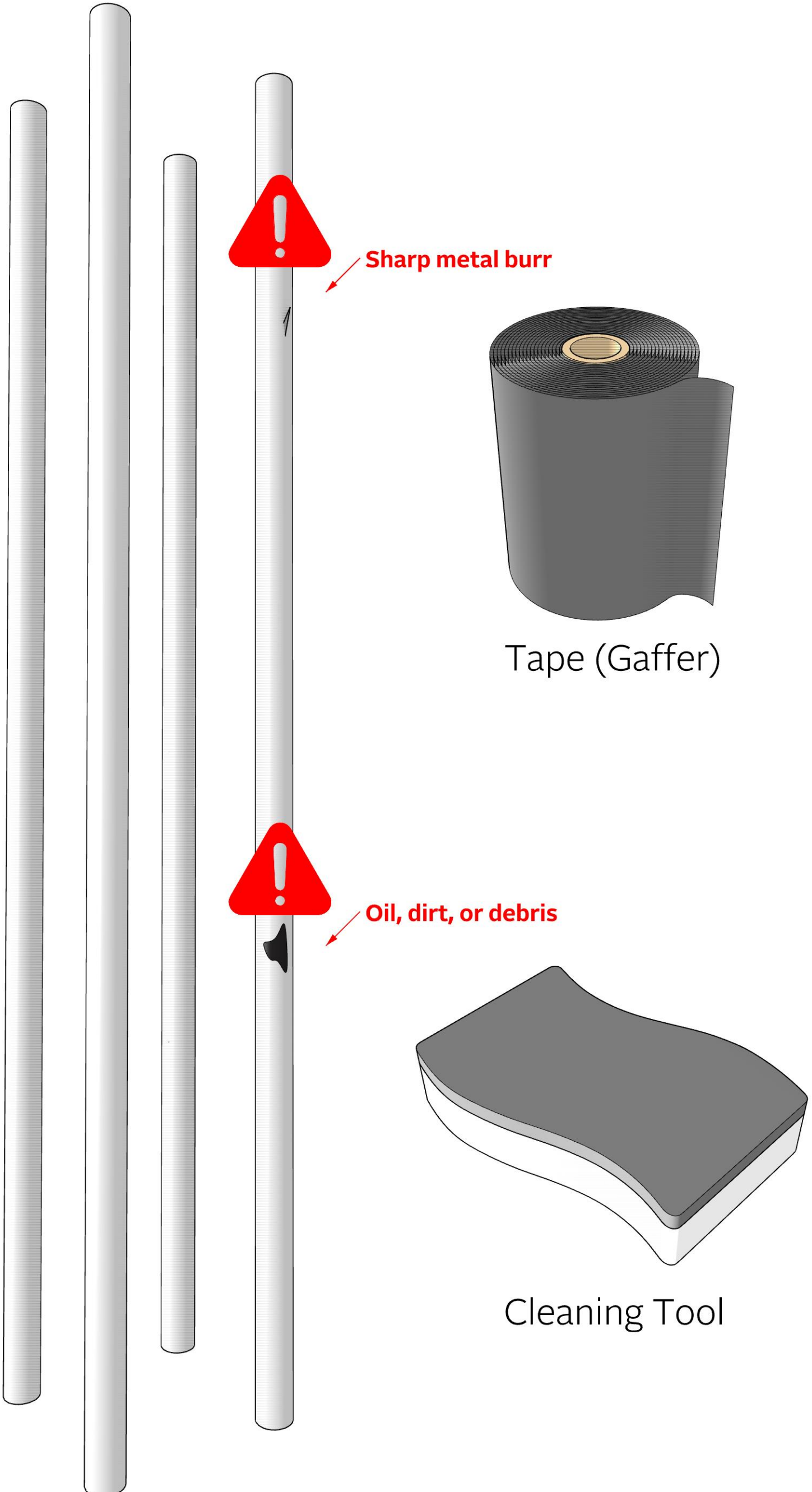
Tape (Gaffer)

PRODUCT INSTALLATION

PIPE COVER INSTALLATION

1

Prepare the pipe segments you plan to cover by cleaning them and filing/taping over any sharp metal burrs. Burrs and stains can snag and damage the fabric pipe cover and can be common on rental materials.



2

Measure and record each length of pipe that you intend to cover. To ensure full coverage, **we recommend adding a buffer of approximately 2% to the measured length.** An example calculation is provided below.

**EXAMPLE:
6' or 72"**



**Example Calculation:
72" x 1.02 = ~73.5"**

LENGTH MEASURED

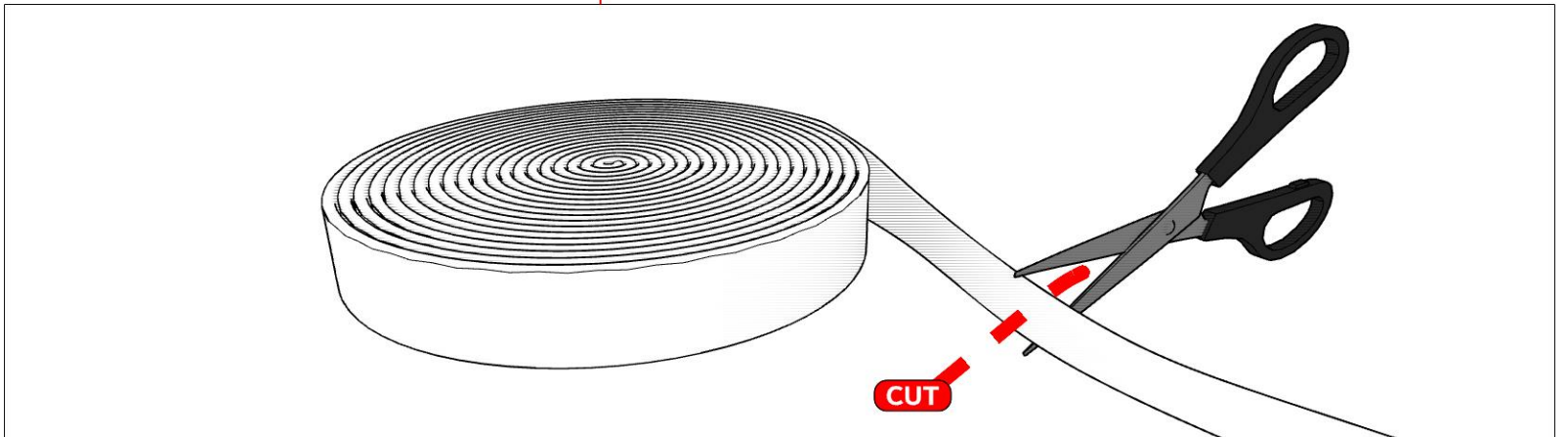
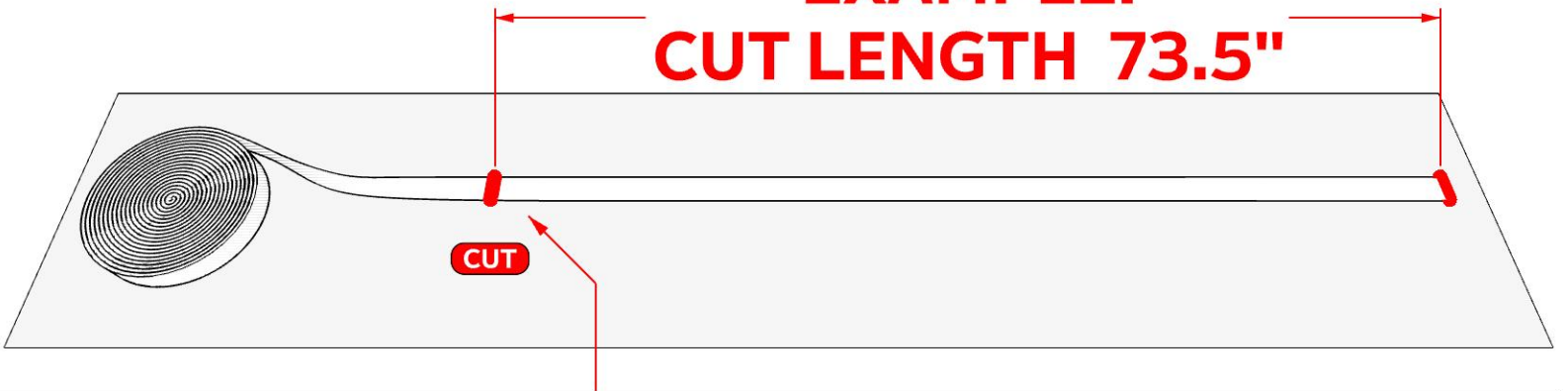
+2% BUFFER

SUGGESTED CUT LENGTH

3

Unroll your Pipe Cover roll on a clean surface. From the end of the roll, take the suggested cut length and measure along the edge. Use sharp scissors or a fabric cutting tool to cut the pipe cover.

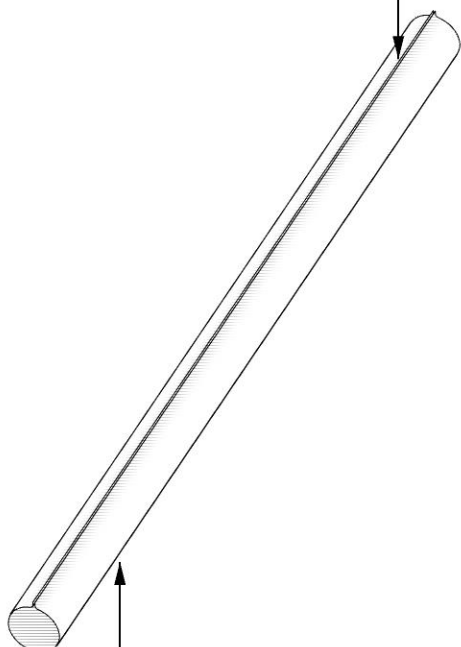
**EXAMPLE:
CUT LENGTH 73.5"**



4

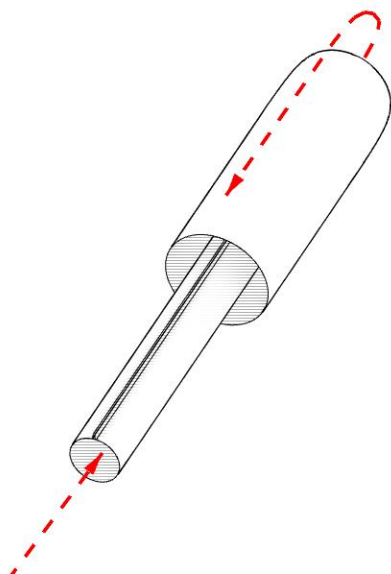
To protect the cover from dirt and smudges, **all Pipe Cover rolls are shipped INSIDE OUT.** Before applying your cover, pull one end through itself so the correct finished surface is facing out.

Visible Unfinished Seam



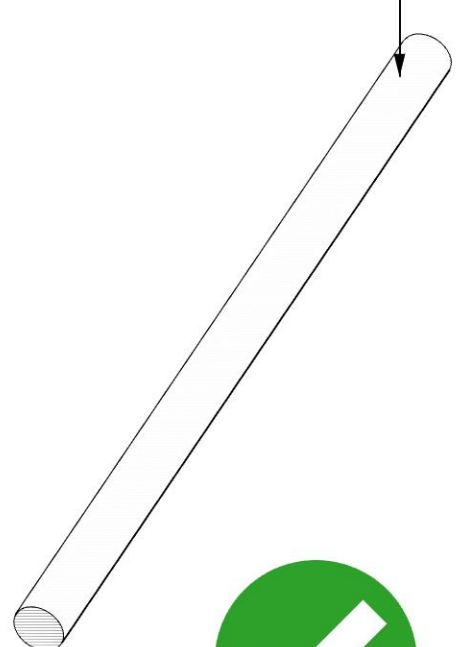
INSIDE FACE

PULL COVER INSIDE OUT



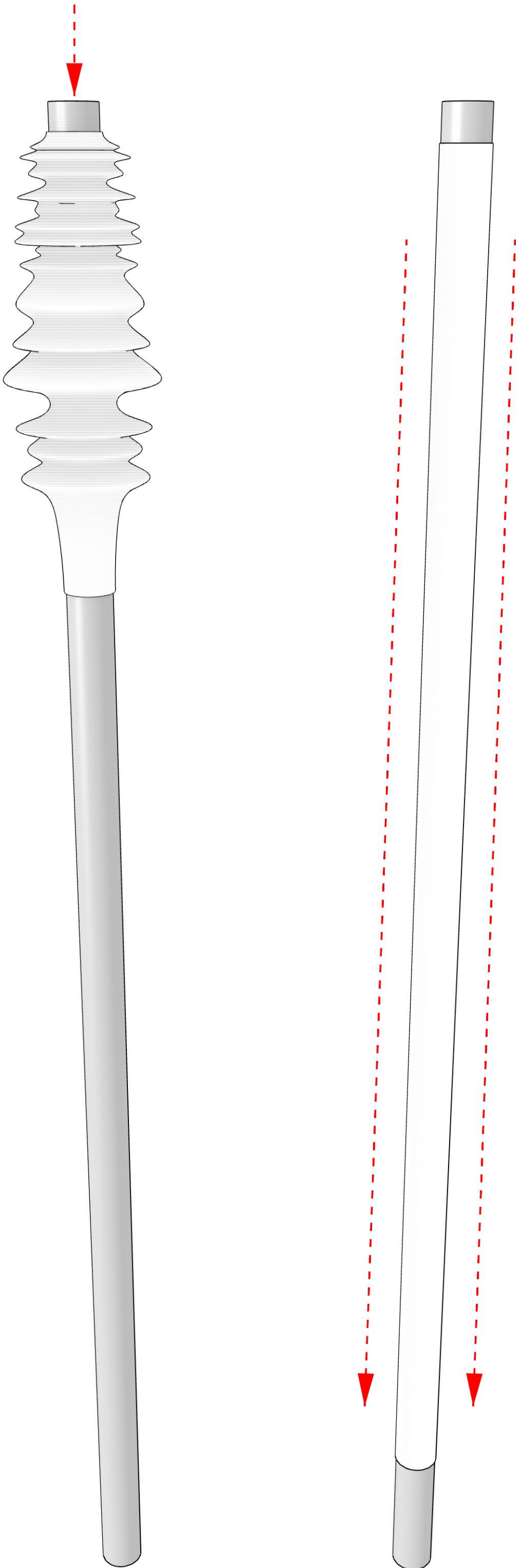
PULL COVER INSIDE OUT

OUTSIDE FINISHED FACE



5

To install a Pipe Cover, pull the fabric over the pipe segment like a sock.



FABRIC CARE

UNIVERSAL STRETCH FABRIC (USF)

Storage Notes and Methods

Qualified orders include a cloth drawstring bag, which is ideal for long-term storage. When storing your fabric in a sealed container, like the plastic bag the skin arrived in, the fabric must be completely dry to avoid mold or mildew growth.

If your product includes any metal parts such as gate ring, rigging supplies, or frames, be sure to remove them prior to storage. Wrinkles can result from fabric storage. Almost all wrinkles from storage will stretch out once the fabric is installed correctly. If deep wrinkles persists, place fabric in a dryer on low heat for a few minutes.

Cleaning and Dusting

Light clean: Fingerprints from installation without gloves are the main culprit of a dirty screen. Follow the setup instructions carefully, and always use nitrile gloves when handling fabric skins. To remove light stains, use hot soapy water and dab the area clean.

Deep clean: Machine wash fabric on delicate with detergent and Oxiclean®. Machine dry on low heat, regularly checking for completion. IFR products dry quickly. All USF products will retain IFR (Inherently Flame Retardant) certification after repeated washes.

Dusting: We understand that many of our products may be left up over long periods of time. Dust will inevitably stick to the surface and collect. To remove dust on fabric, use a clean object to lightly bat the back surface. Start at the center of the fabric and move towards the outer edges.



DO NOT OVER DRY. Extended heat will damage the spandex in the fabric material.

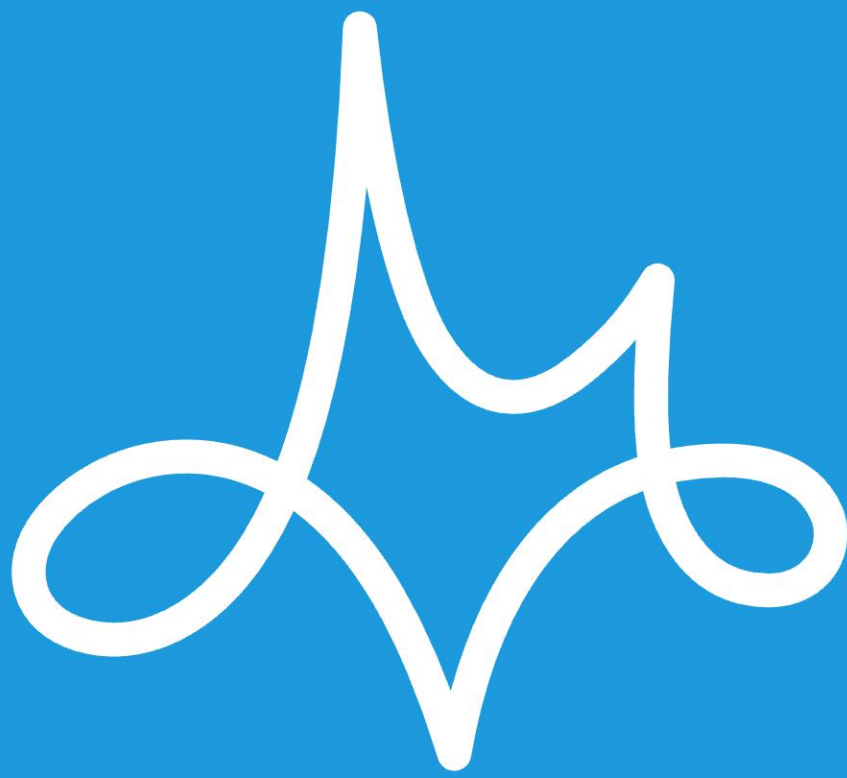


DO NOT USE BLEACH or bleach-based cleaners on USF fabric. Bleach will damage the spandex in the fabric.



MOSS

WE ARE PLACE MAKERS™



MOSS

WE ARE PLACE MAKERS™