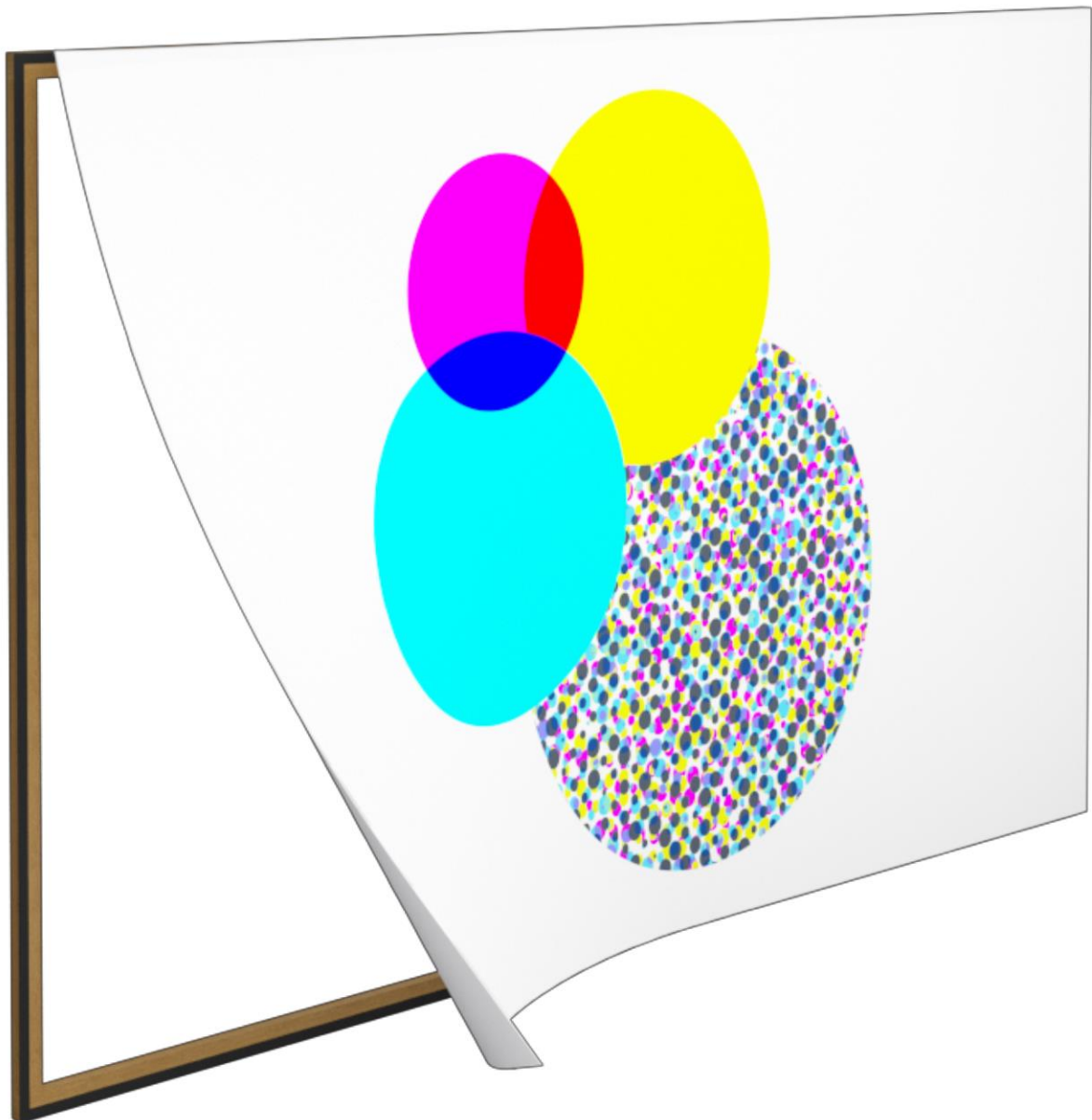


HOOK & LOOP PANELS

INSTALLATION & MAINTENANCE GUIDE



COVER ANYTHING WITH A STRETCH FABRIC SURFACE, REGARDLESS OF THE SHAPE OR SIZE



MOSS
WE ARE PLACE MAKERS™

TABLE OF CONTENTS

1.0	Before you build	3
	Proper fabric handling.....	3
	Included parts and recommended tools	3
2.0	Product construction	4 - 8
	Adhesive hook application instructions	4 - 6
	Fabric Application Instructions	7 - 8
3.0	Fabric care	9
	USF Storage notes and methods	19
	USF Cleaning and fabric care	19-23

Install questions?

**Contact us. We are here to
help you succeed!**

1.888.370.0202



BEFORE YOU BUILD

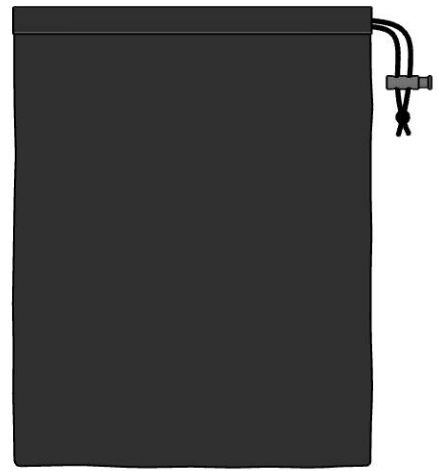
Proper Fabric Handling

To avoid smudges and dirt buildup on your fabric, always install your product using nitrile gloves. Even clean hands can leave an oily residue on the fabric surface that attracts dirt and dust. Additionally, consider using drop cloths or plastic sheeting on the floor to maintain a clean working environment free of debris.

Included in the Bag



Nitrile Gloves

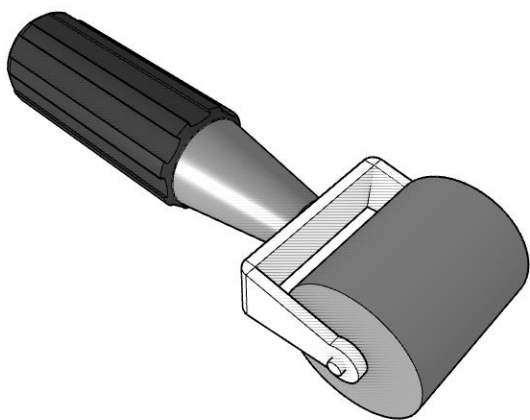


Storage Bag

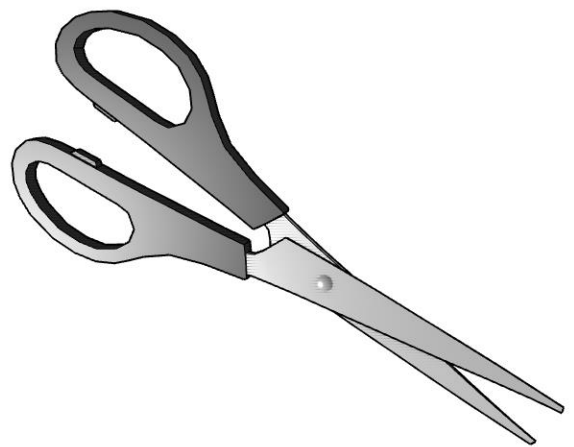


Acrylic Hook Roll

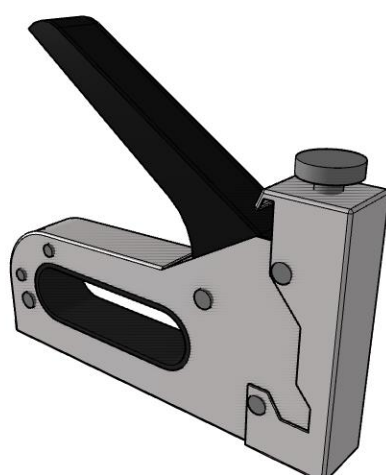
Recommended Tools



Seam Roller



Scissors



Staple Gun

PRODUCT CONSTRUCTION

Adhesive Hook Installation

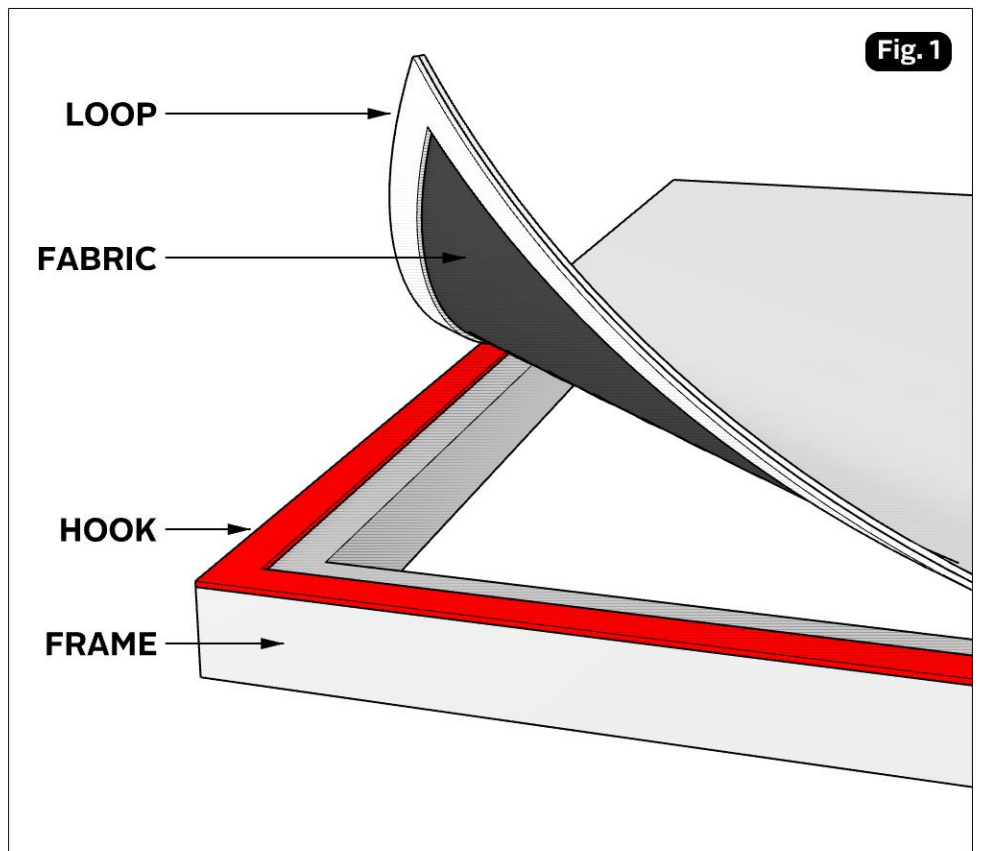
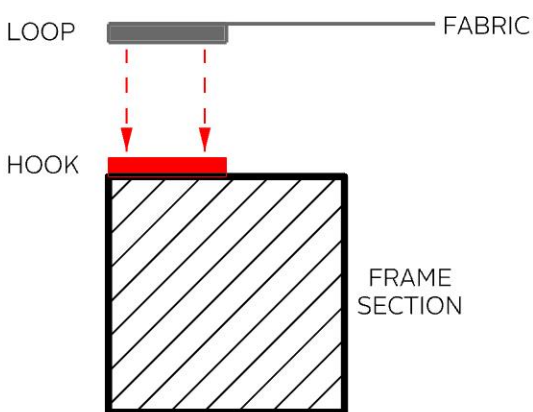
1

Review your invoice, and take note of your panel's attachment style. Your fabric panel will attach to its frame using a "hook" strip that is adhered to a specific surface on the frame according to its style.

FRONT MOUNT PANEL

A front mount panel is designed to have the adhesive hook strip applied to the frame's front surface to achieve proper fit.

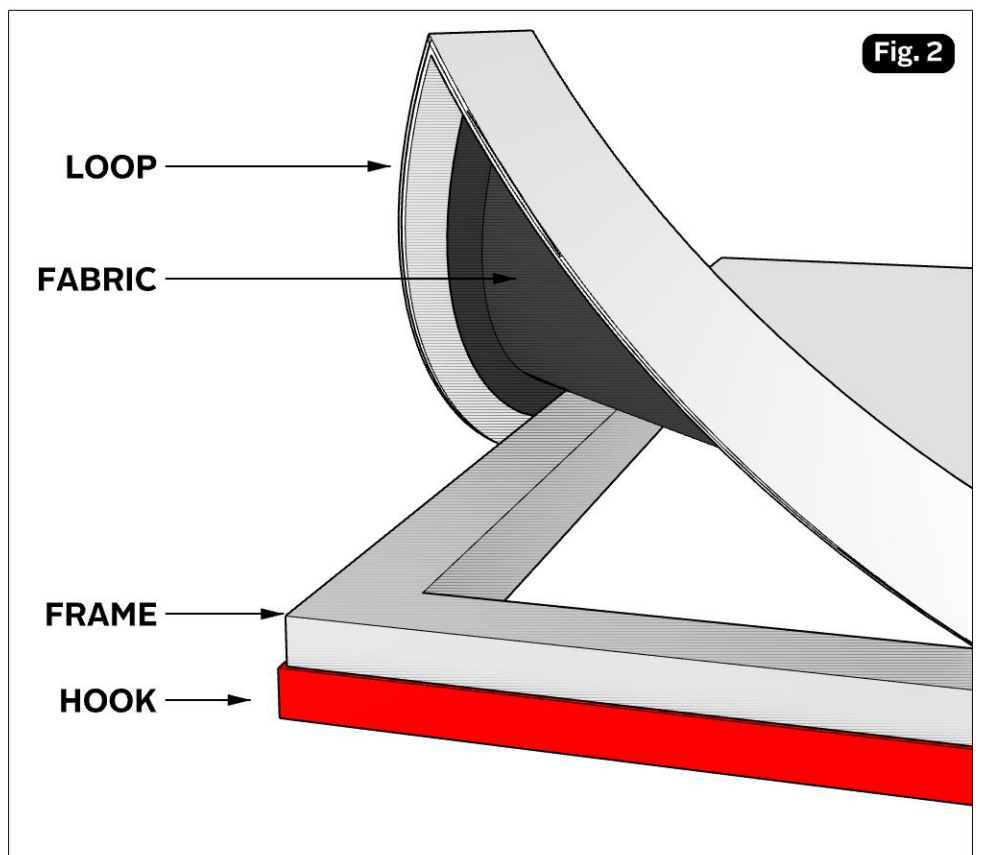
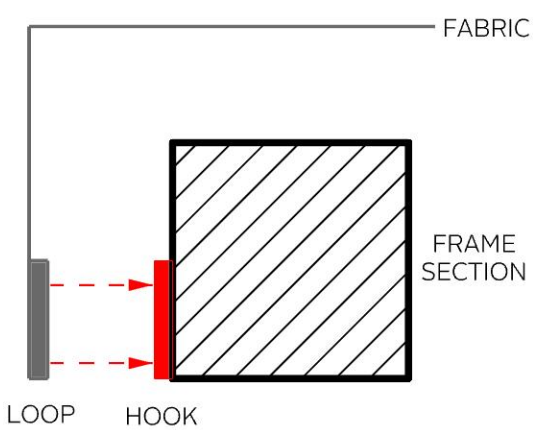
Adhesive hook strip is denoted in RED in the diagram (right).



SIDE MOUNT PANEL

A side mount panel is designed to have the adhesive hook strip applied to the frame's side surface to achieve proper fit.

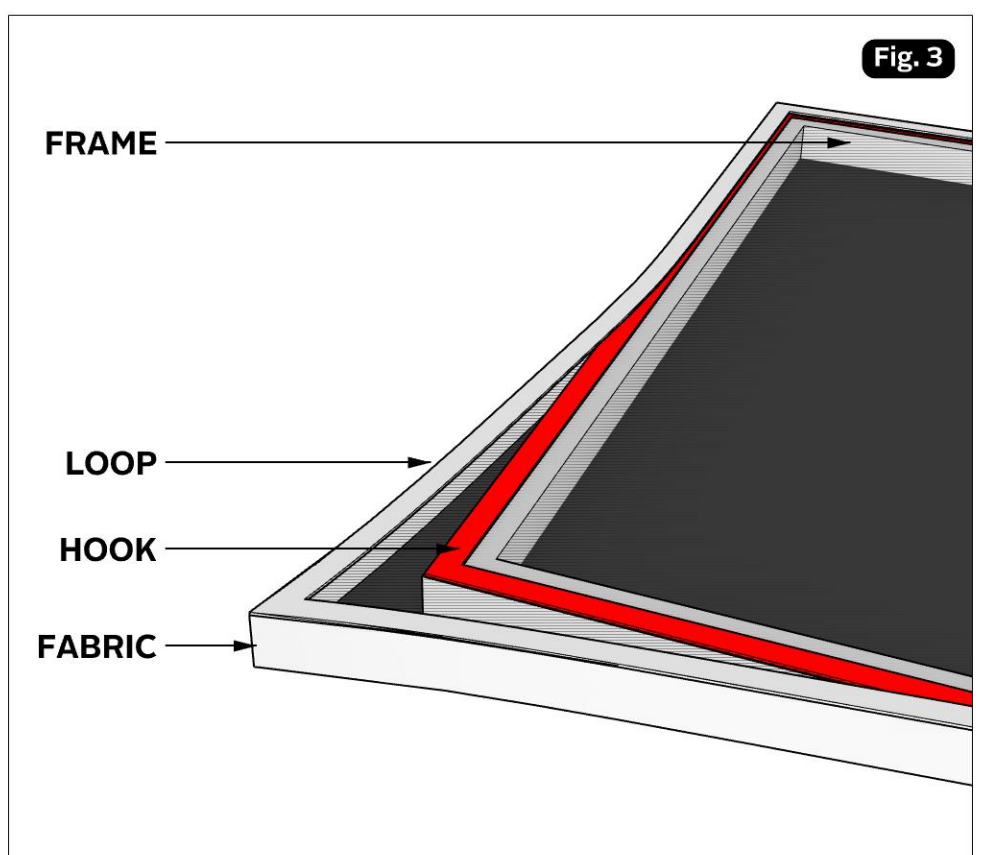
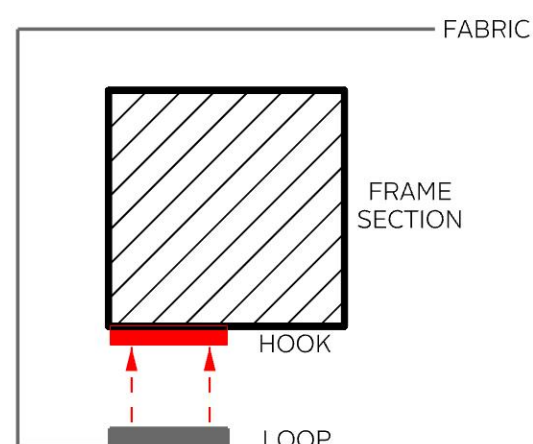
Adhesive hook strip is denoted in RED in the diagram (right).



BACK MOUNT PANEL

A back mount panel is designed to have the adhesive hook strip applied to the frame's back surface to achieve proper fit.

Adhesive hook strip is denoted in RED in the diagram (right).

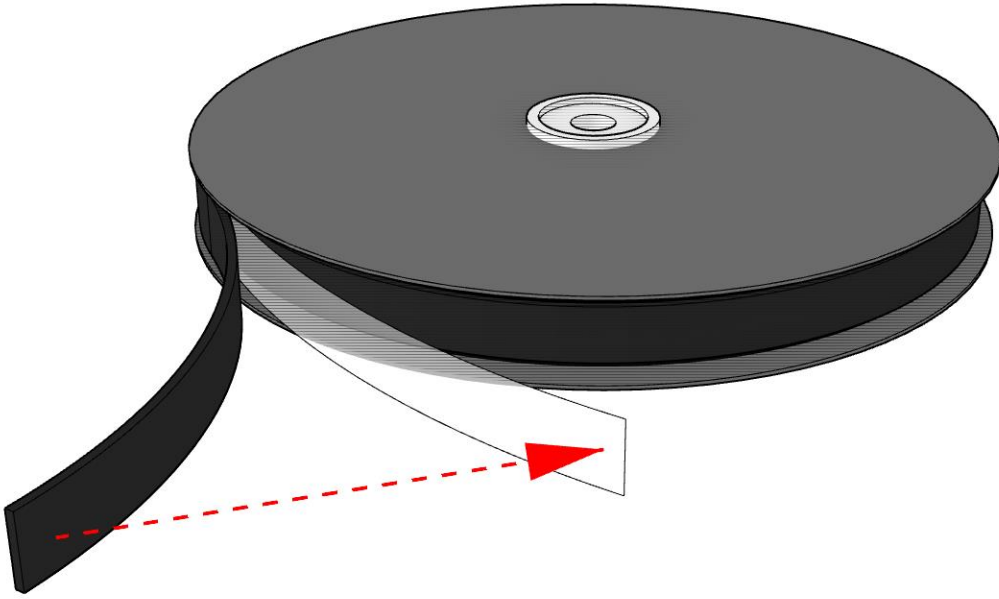


2

Apply the provided adhesive hook strip to your frame on the face required by your panel type from step 1. The example shown below is front mount.

A

Peel off the removable plastic backing.

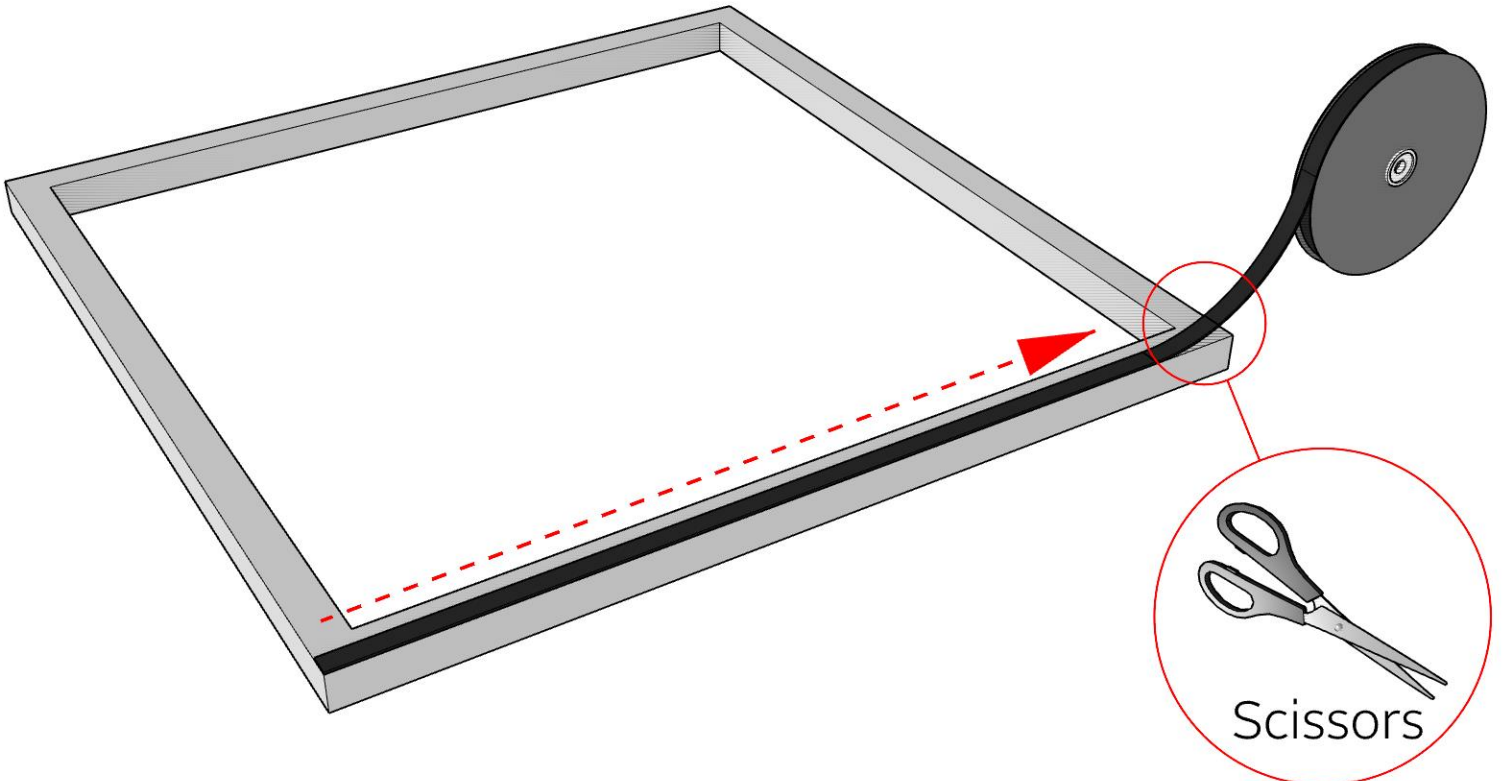


PRO TIP

Clean and remove any dust or debris from your frame prior to applying hook. This will help ensure a strong adhesive bond.

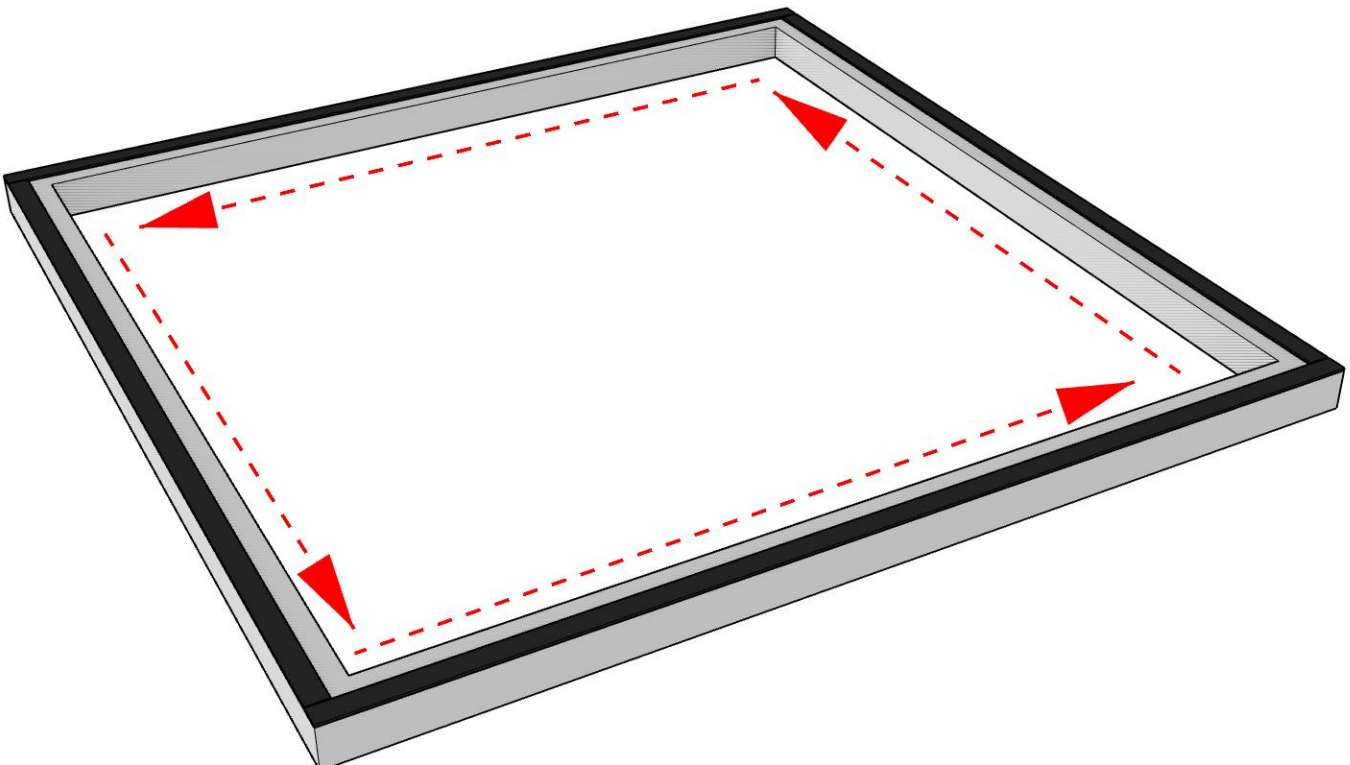
B

Firmly press the adhesive backing onto the surface of the frame. When you reach a corner, cut the hook strip with sharp scissors.



C

Continue until the adhesive hook is applied to the entire perimeter.

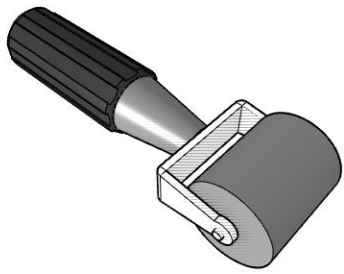


3

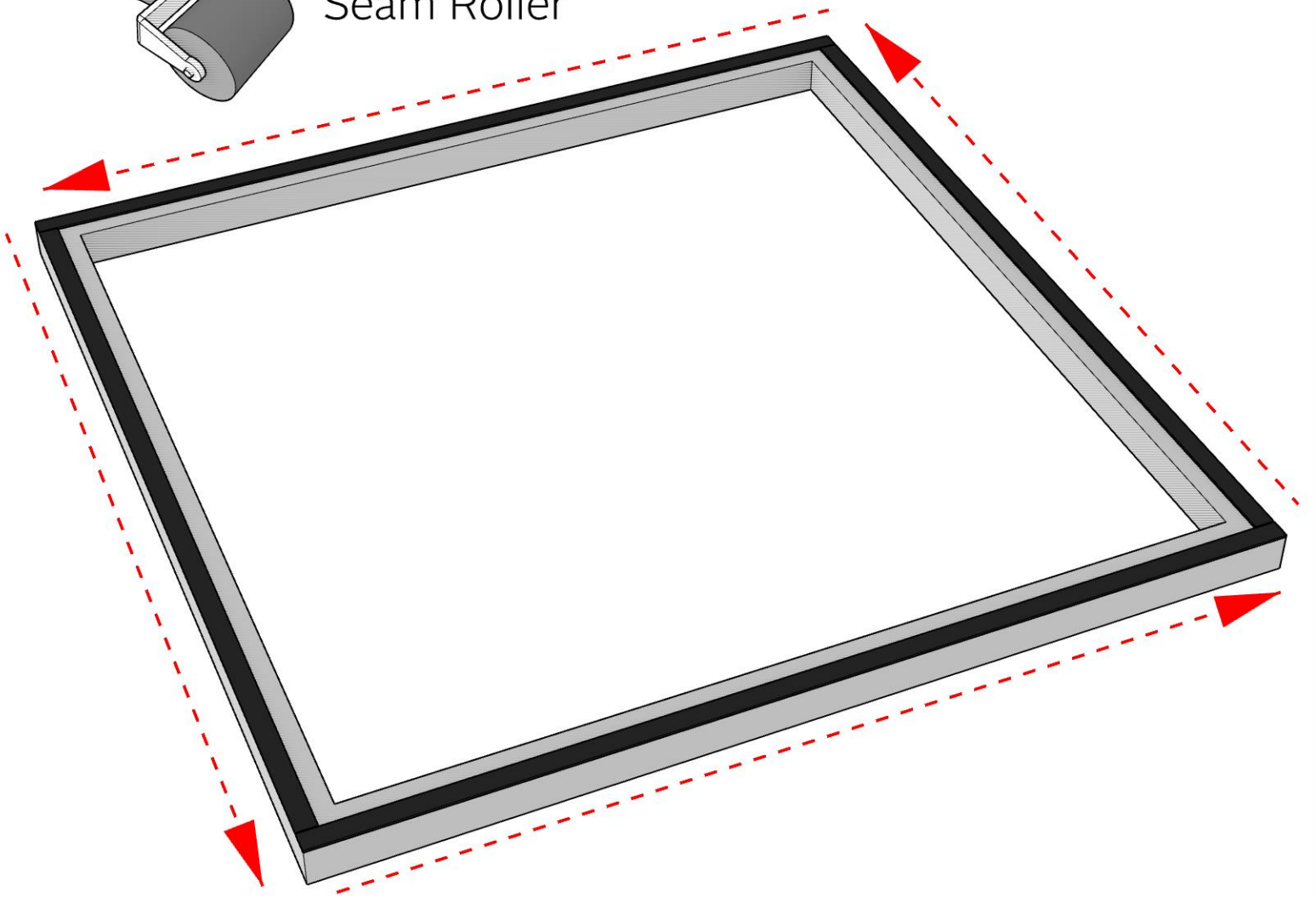
Ensure there is a strong connection between the adhesive hook strip and the frame.

A

Apply pressure to the adhesive hook strip using a seam roller. This will help remove trapped air bubbles, and ensure a stronger bond.

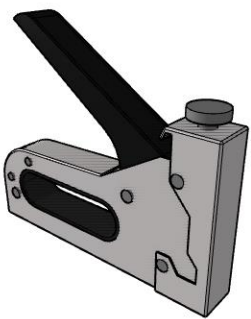


Seam Roller

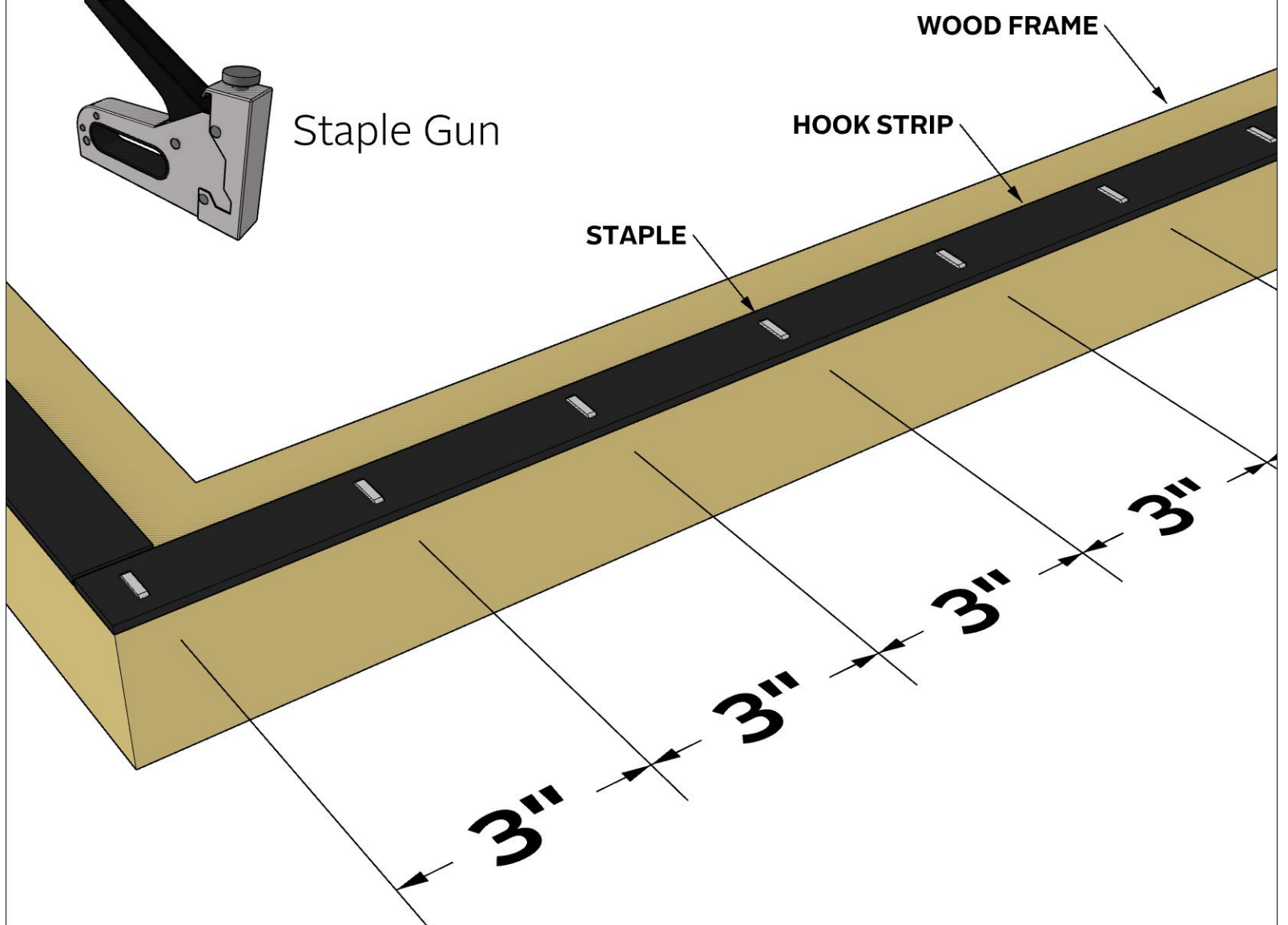


B

If you are using a wood frame, consider stapling the adhesive hook to the frame every 2-3 inches, as well as using firm pressure on the hook strip.



Staple Gun



PRODUCT CONSTRUCTION

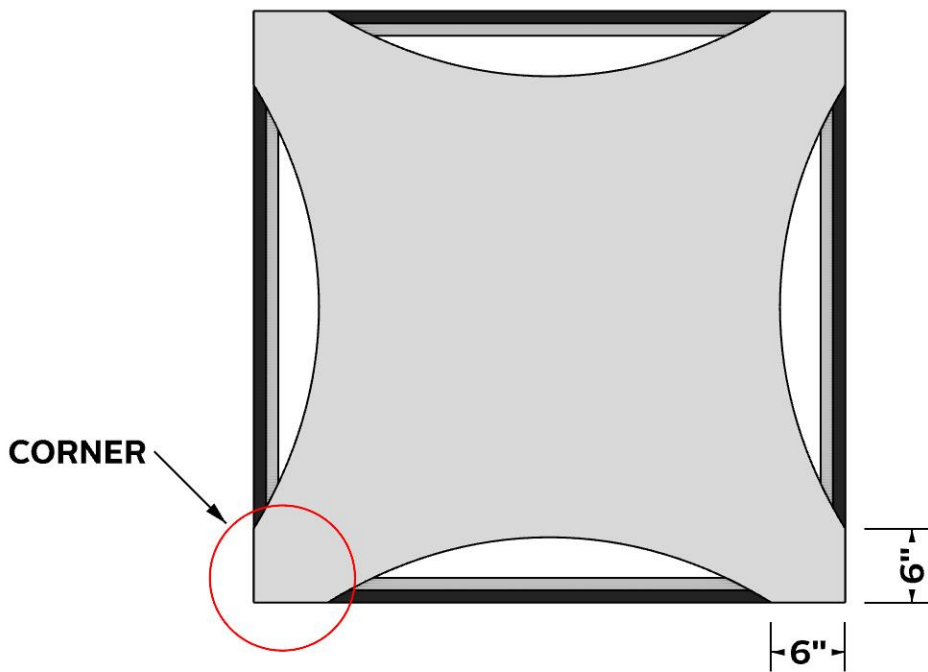
Fabric Application

1

Establish a clean working environment, and put on your nitrile gloves to handle the fabric. Attach the fabric panel in the manner described below.

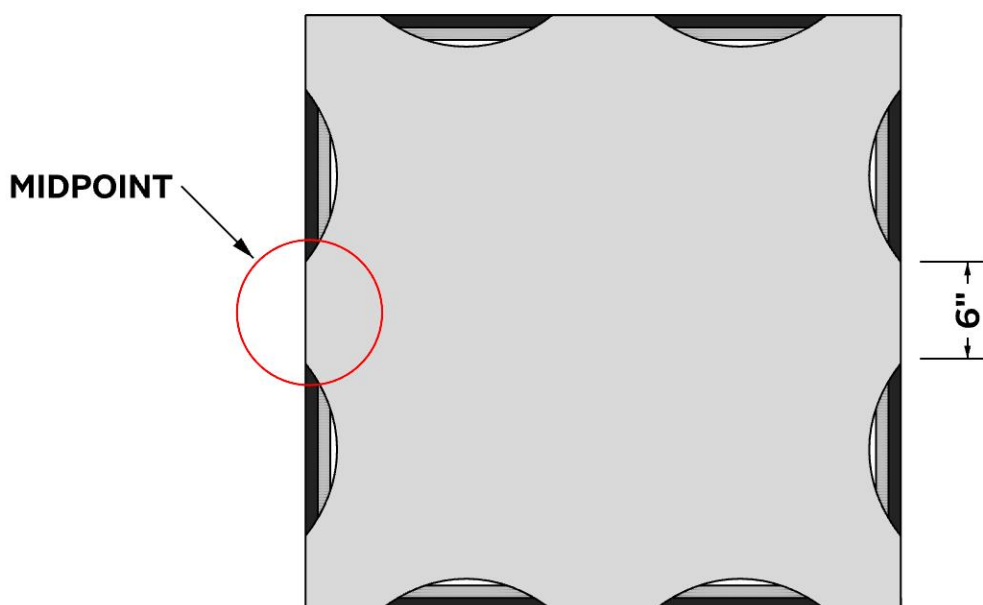
A

Identify the corners of your fabric panel. Attach them to the frame one at a time by pressing the loop finished edge on to the hook strip. Attach six inches at a corner before moving onto the next one.



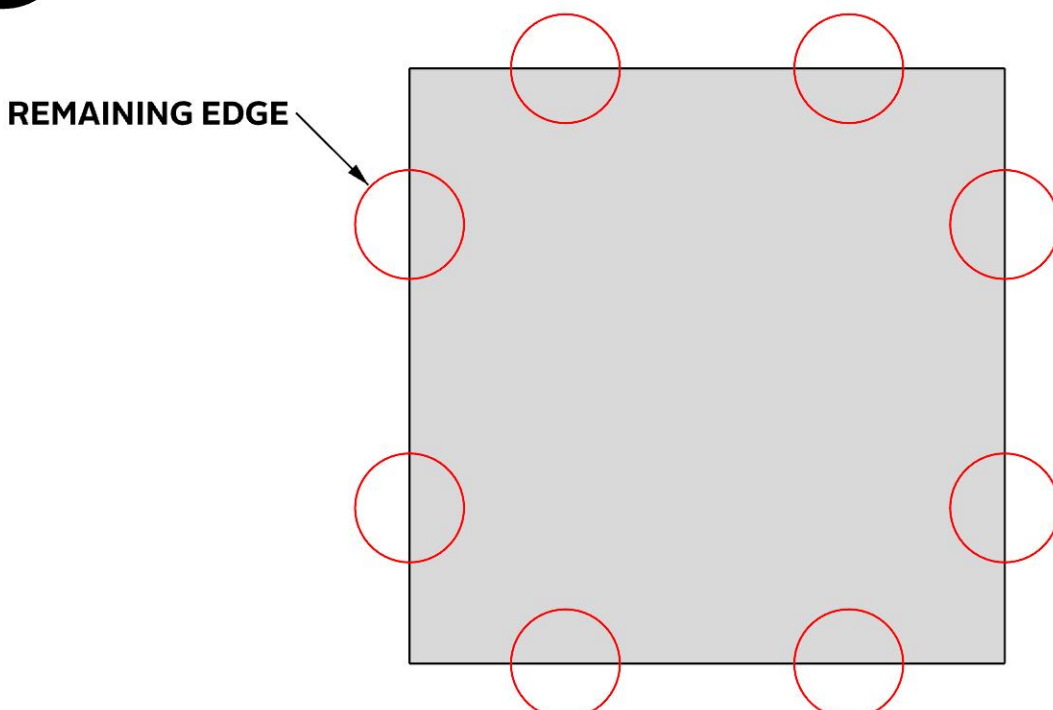
B

Once the corners have been firmly secured, attach a few inches at each side's midpoint.



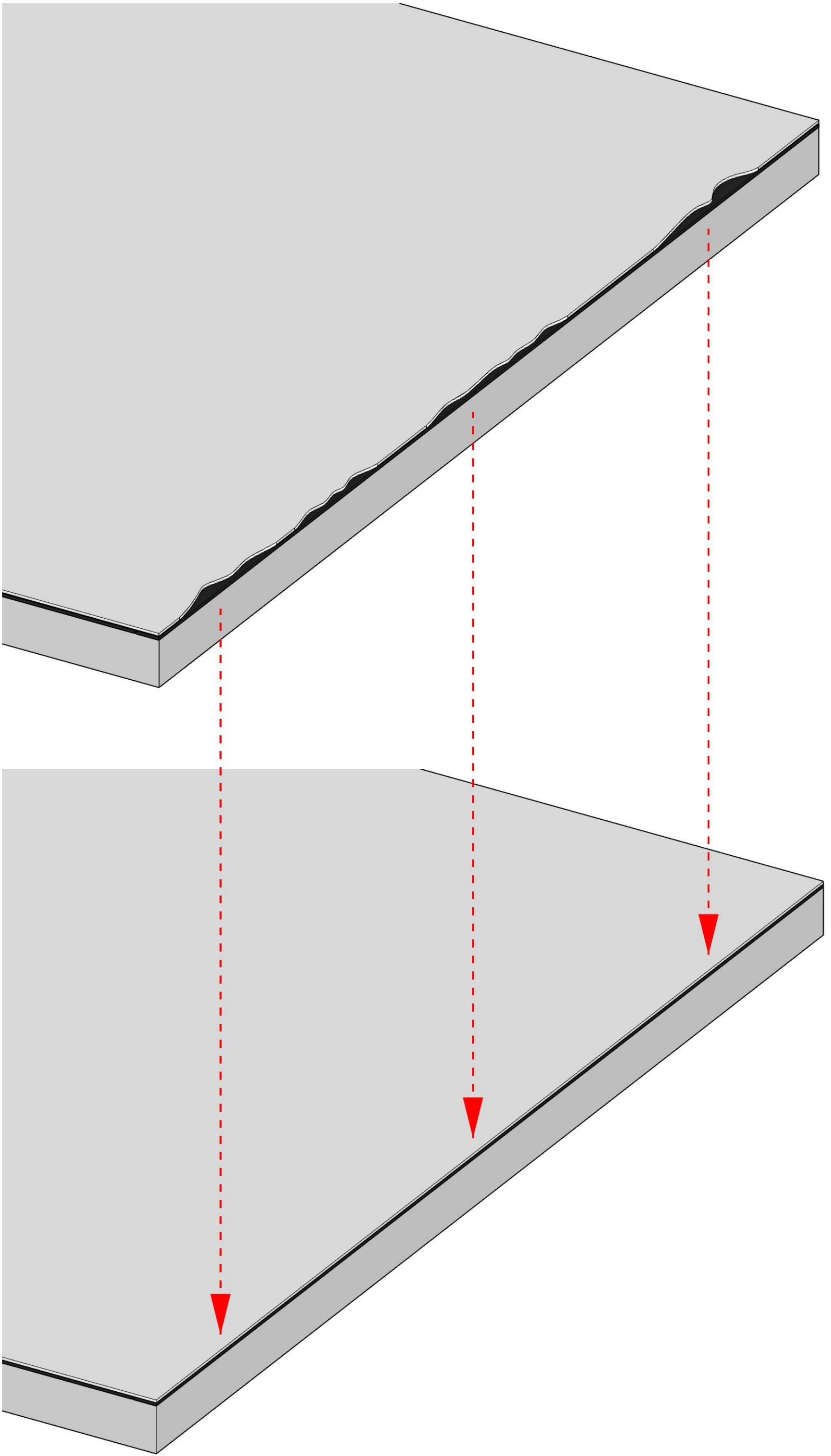
C

Continue to bisect the sides, evenly attaching a small amount at a time until the entire panel is secured.



2

Go over the perimeter, pulling up and reapplying the edges as needed to achieve an even and wrinkle-free attachment.



FABRIC CARE

UNIVERSAL STRETCH FABRIC (USF)

Storage Notes and Methods

Qualified orders include a cloth drawstring bag, which is ideal for long-term storage. When storing your fabric in a sealed container, like the plastic bag the skin arrived in, the fabric must be completely dry to avoid mold or mildew growth.

If your product includes any metal parts such as gate ring, rigging supplies, or frames, be sure to remove them prior to storage. Wrinkles can result from fabric storage. Almost all wrinkles from storage will stretch out once the fabric is installed correctly. If deep wrinkles persists, place fabric in a dryer on low heat for a few minutes.

Cleaning and Dusting

Light clean: Fingerprints from installation without gloves are the main culprit of a dirty screen. Follow the setup instructions carefully, and always use nitrile gloves when handling fabric skins. To remove light stains, use hot soapy water and dab the area clean.

Deep clean: Machine wash fabric on delicate with detergent and Oxiclean®. Machine dry on low heat, regularly checking for completion. IFR products dry quickly. All USF products will retain IFR (Inherently Flame Retardant) certification after repeated washes.

Dusting: We understand that many of our products may be left up over long periods of time. Dust will inevitably stick to the surface and collect. To remove dust on fabric, use a clean object to lightly bat the back surface. Start at the center of the fabric and move towards the outer edges.



DO NOT OVER DRY. Extended heat will damage the spandex in the fabric material.

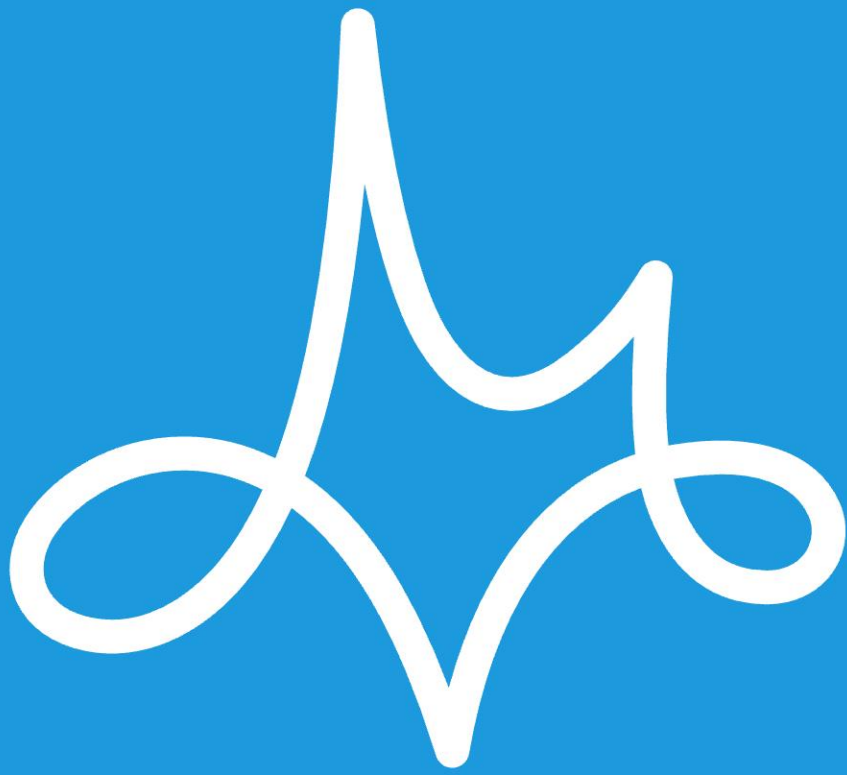


DO NOT USE BLEACH or bleach-based cleaners on USF fabric. Bleach will damage the spandex in the fabric.



MOSS

WE ARE PLACE MAKERS™



MOSS

WE ARE PLACE MAKERS™