

Perspective - Cover Image



**MOSS**

**WE ARE PLACE MAKERS™**

THE DRAWINGS AND IMAGES DEPICTED HEREIN ARE FOR REPRESENTATIONAL AND CONCEPTUAL PURPOSES ONLY. THIS DOCUMENT IS NOT INTENDED FOR USE AS A CONSTRUCTION DOCUMENT AND DOES NOT SERVE AS A STRUCTURAL, MECHANICAL OR ENGINEERING GUIDELINE. THIS DOCUMENT DOES NOT CONSTITUTE ITSELF AS AN ENGINEERING DRAWING IN ANY OF THE UNITED STATES.

ALL STRUCTURES MUST ADHERE AND COMPLY WITH THE MOST STRICT LOCAL AND FEDERAL SAFETY/FIRE CODES AVAILABLE AT INSTALLATION SITE.

UNAUTHORIZED REPRODUCTION, DISTRIBUTION, AND/OR MISUSE OF THIS DOCUMENT IS PROHIBITED. MOSS INC. AND STRETCH SHAPES LLC. AND ITS DESIGNERS ASSUME NO RESPONSIBILITY FOR THE MISUSE OF THIS DOCUMENT

# VISUAL USER GUIDE

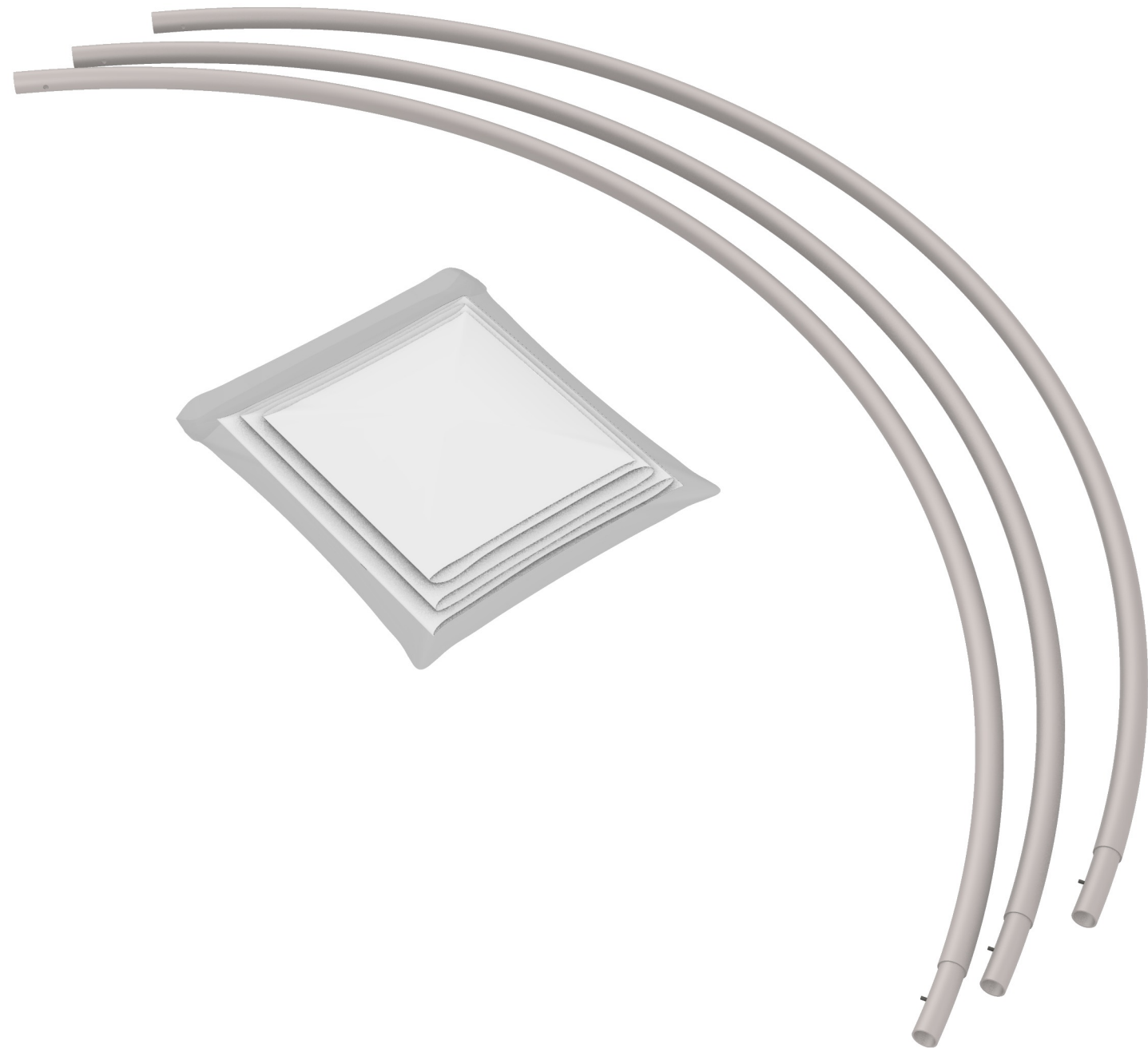
*Holiday Full Moons - All Sizes  
Custom Installation Guide*

**C1**

Last Updated: 3/31/2025

1

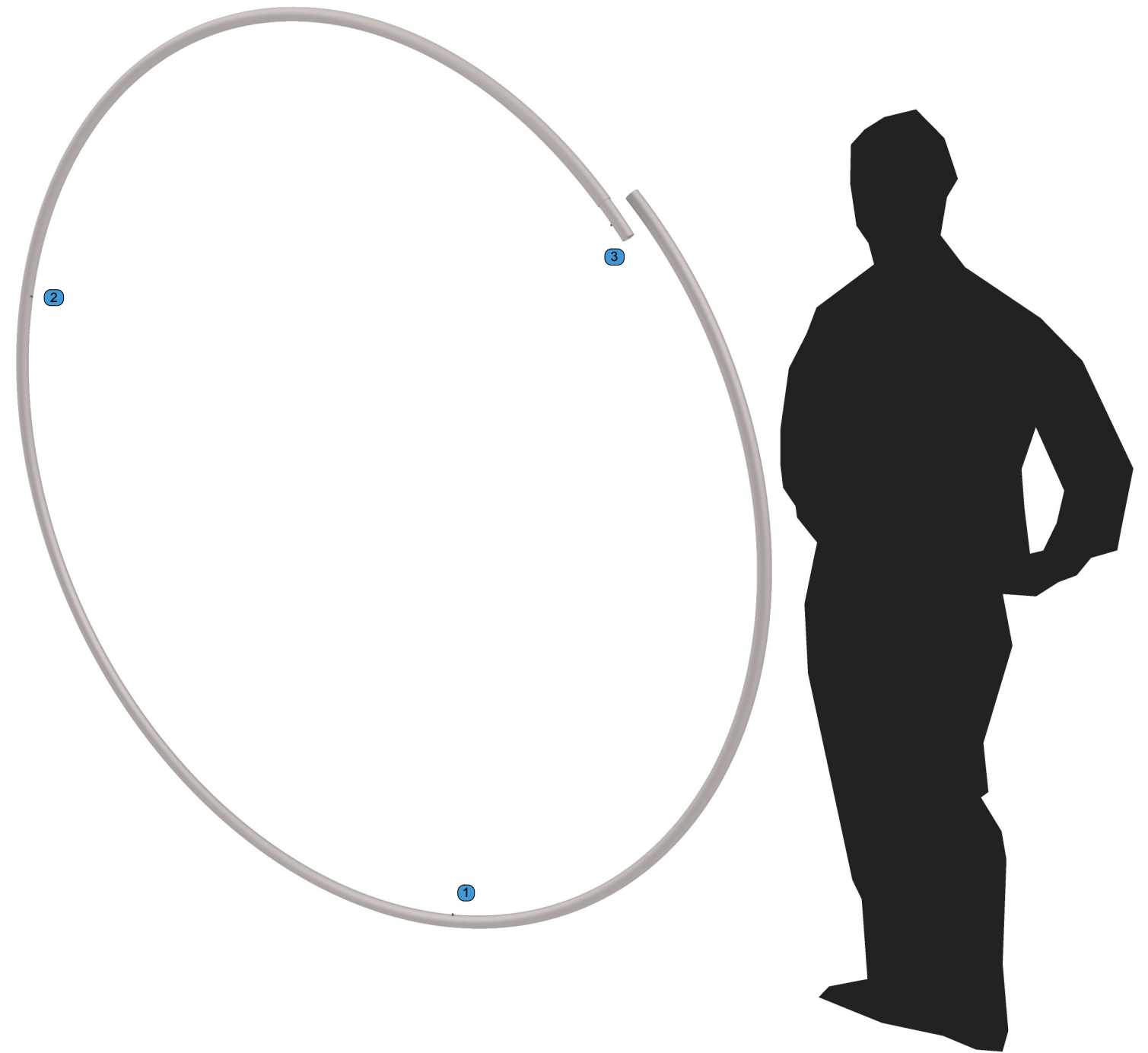
Unpack your your full moon frame, and your Holiday Full Moon. Familiarize yourself with the frames' button snap joints and labeling system.



Perspective View

2

Assemble the pieces of your full moon frame using the button snap joints and labels. Leave one of the joints open, as pictured in the example below.



Perspective View



**MOSS**  
WE ARE PLACE MAKERS™

THE DRAWINGS AND IMAGES DEPICTED HEREIN ARE FOR REPRESENTATIONAL AND CONCEPTUAL PURPOSES ONLY. THIS DOCUMENT IS NOT INTENDED FOR USE AS A CONSTRUCTION DOCUMENT AND DOES NOT SERVE AS A STRUCTURAL, MECHANICAL OR ENGINEERING GUIDELINE. THIS DOCUMENT DOES NOT CONSTITUTE ITSELF AS AN ENGINEERING DRAWING IN ANY OF THE UNITED STATES.

ALL STRUCTURES MUST ADHERE AND COMPLY WITH THE MOST STRICT LOCAL AND FEDERAL SAFETY/FIRE CODES AVAILABLE AT INSTALLATION SITE.

UNAUTHORIZED REPRODUCTION, DISTRIBUTION, AND/OR MISUSE OF THIS DOCUMENT IS PROHIBITED. MOSS INC. AND STRETCH SHAPES LLC. AND ITS DESIGNERS ASSUME NO RESPONSIBILITY FOR THE MISUSE OF THIS DOCUMENT

# VISUAL USER GUIDE

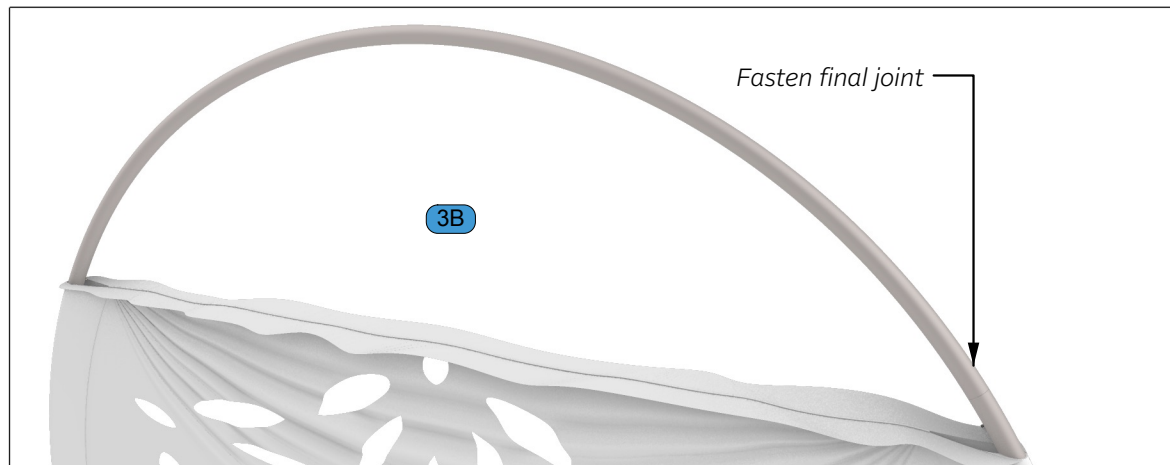
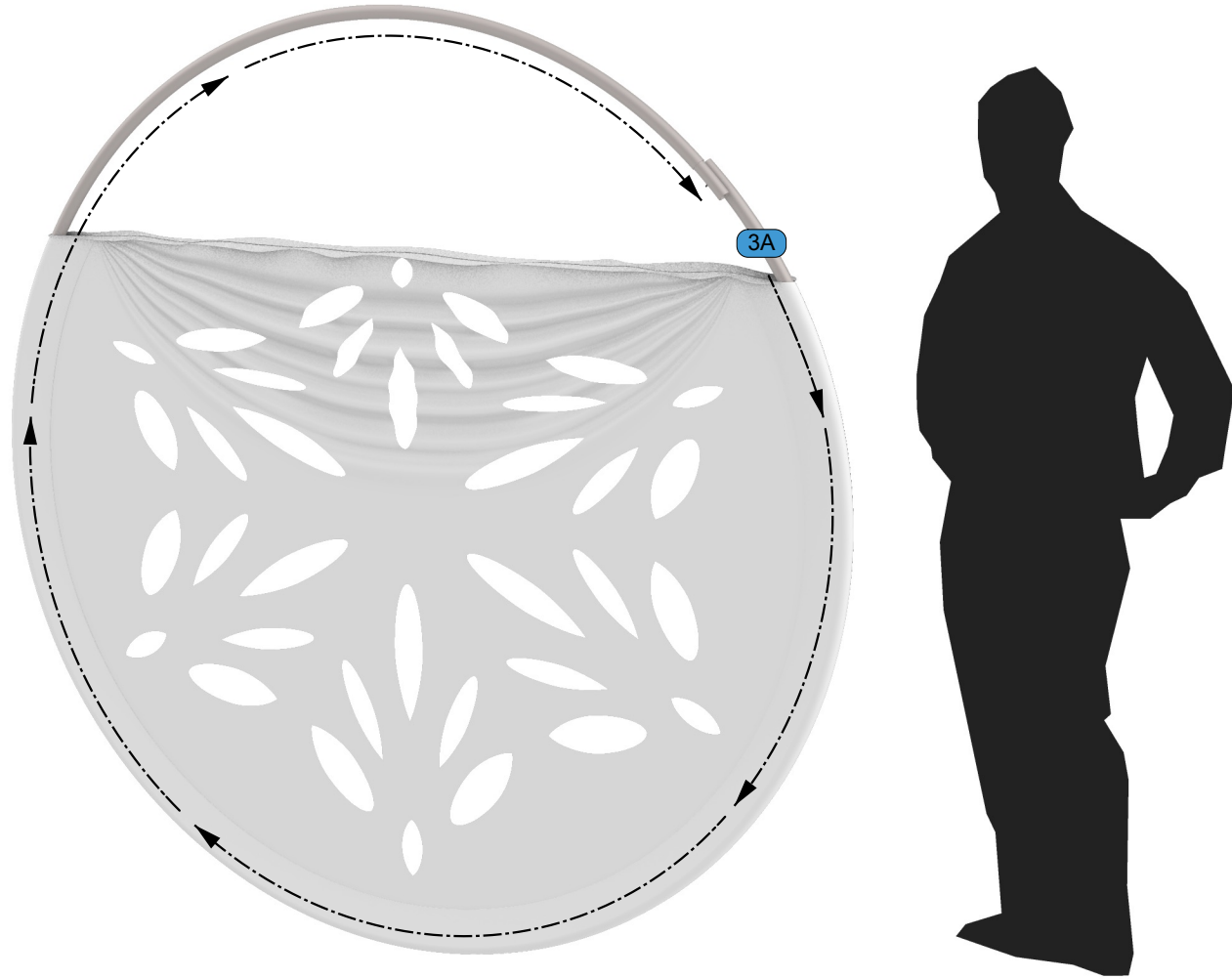
*Holiday Full Moons - All Sizes  
Custom Installation Guide*

**S1**

Last Updated: 3/31/2025

3

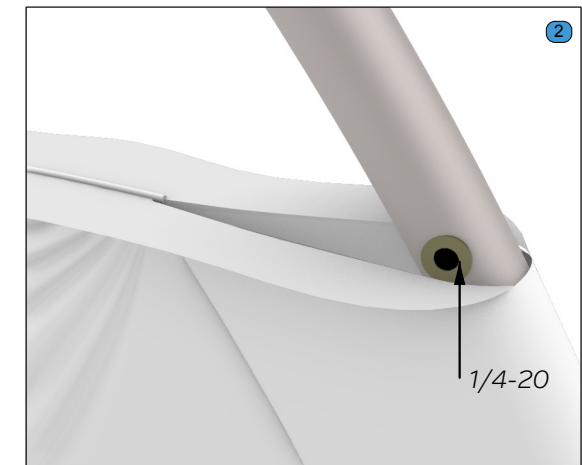
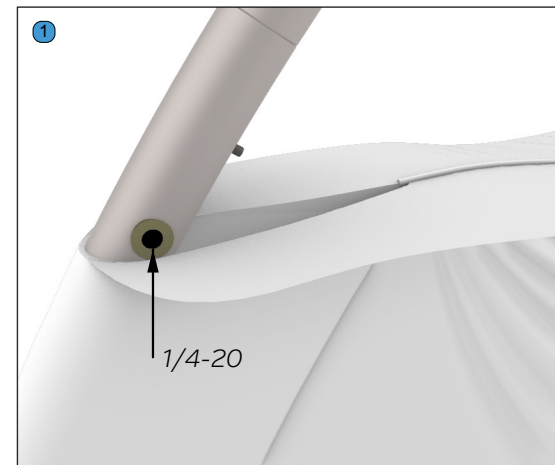
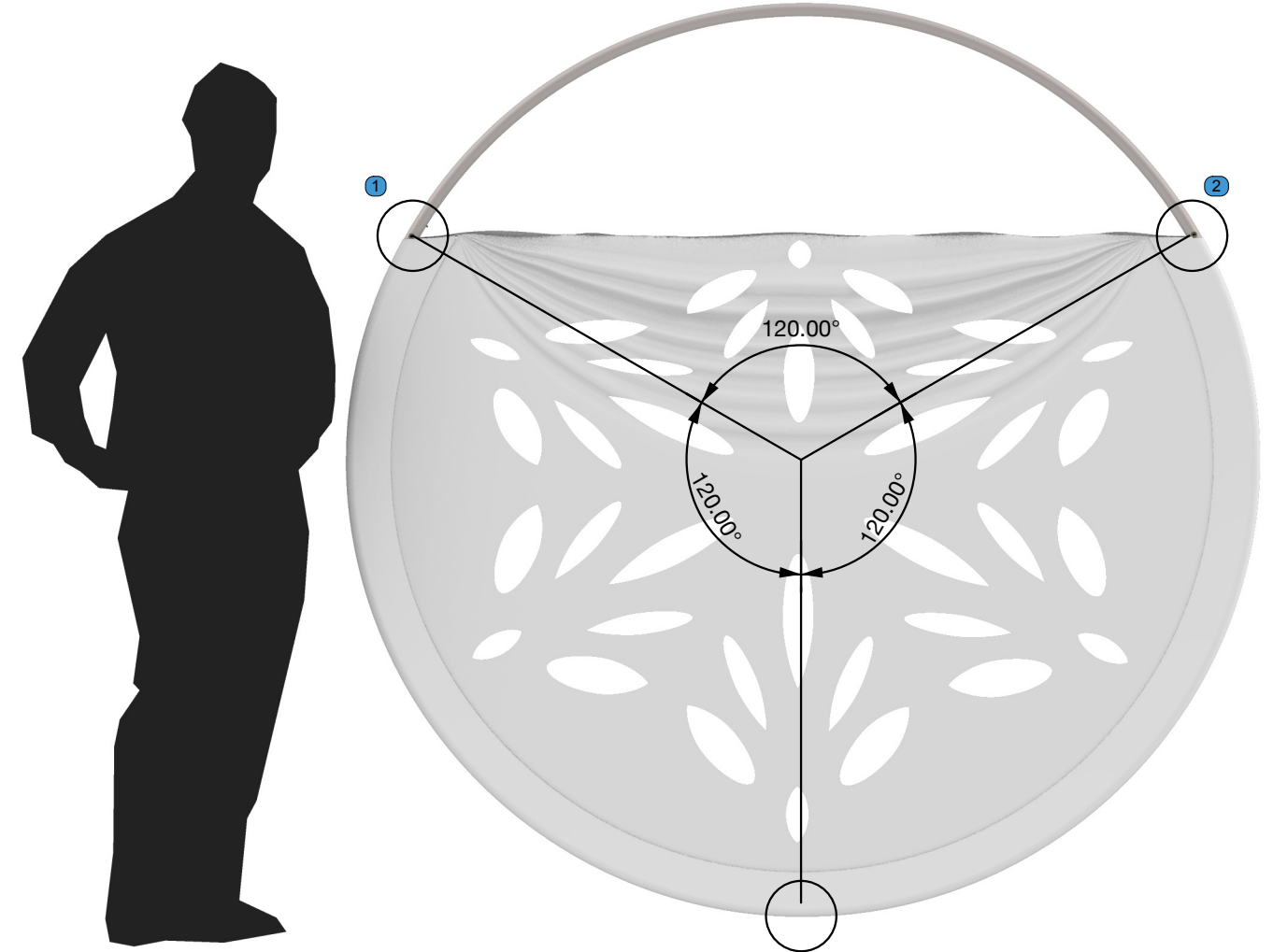
Insert one end of the frame into the POLE POCKET of the fabric, and work the tube frame into the fabric cover (3A). When the tube comes out the other side of the pole pocket, fasten the final joint of the frame together (3B).



Perspective View

4

Your full moon frame should have 3 evenly spaced rigging points. Before closing your zipper, align at least 2 of these rigging points with the ends of the zipper enclosure. There will be openings in the fabric at these locations to allow rigging hardware to pass through.



Perspective View



**MOSS**  
WE ARE PLACE MAKERS™

THE DRAWINGS AND IMAGES DEPICTED HEREIN ARE FOR REPRESENTATIONAL AND CONCEPTUAL PURPOSES ONLY. THIS DOCUMENT IS NOT INTENDED FOR USE AS A CONSTRUCTION DOCUMENT AND DOES NOT SERVE AS A STRUCTURAL, MECHANICAL OR ENGINEERING GUIDELINE. THIS DOCUMENT DOES NOT CONSTITUTE ITSELF AS AN ENGINEERING DRAWING IN ANY OF THE UNITED STATES.

ALL STRUCTURES MUST ADHERE AND COMPLY WITH THE MOST STRICT LOCAL AND FEDERAL SAFETY/FIRE CODES AVAILABLE AT INSTALLATION SITE.

UNAUTHORIZED REPRODUCTION, DISTRIBUTION, AND/OR MISUSE OF THIS DOCUMENT IS PROHIBITED. MOSS INC. AND STRETCH SHAPES LLC. AND ITS DESIGNERS ASSUME NO RESPONSIBILITY FOR THE MISUSE OF THIS DOCUMENT.

# VISUAL USER GUIDE

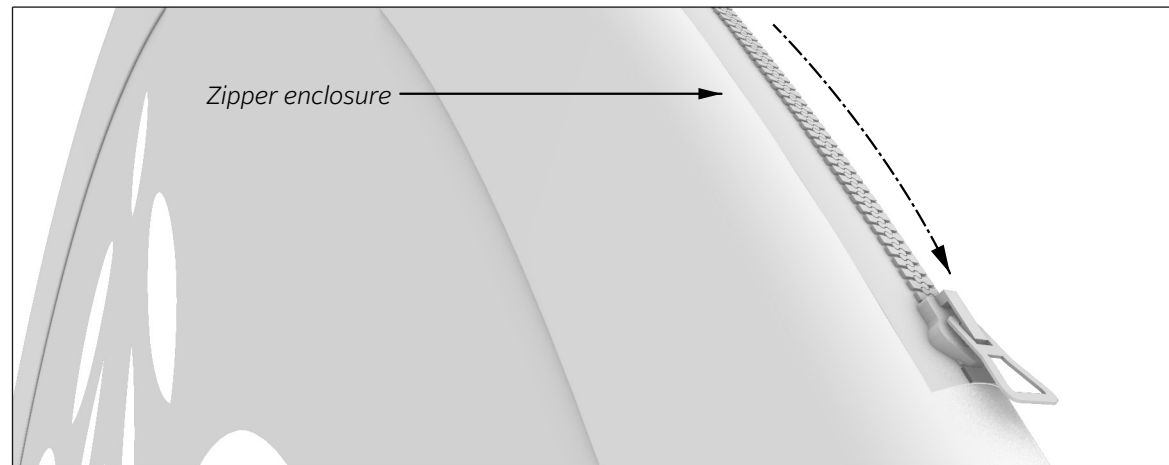
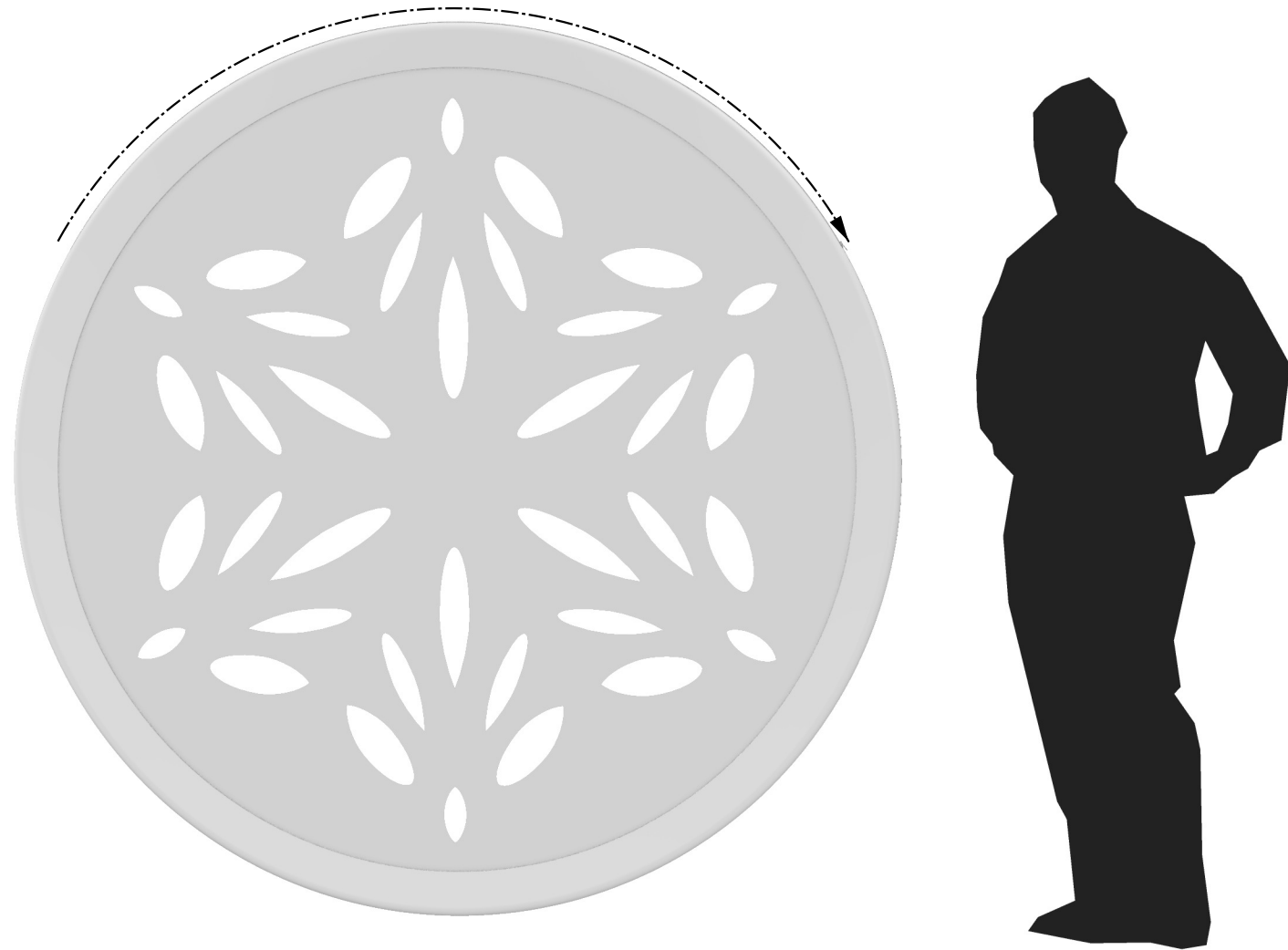
Holiday Full Moons - All Sizes  
Custom Installation Guide

# S2

Last Updated: 3/31/2025

5

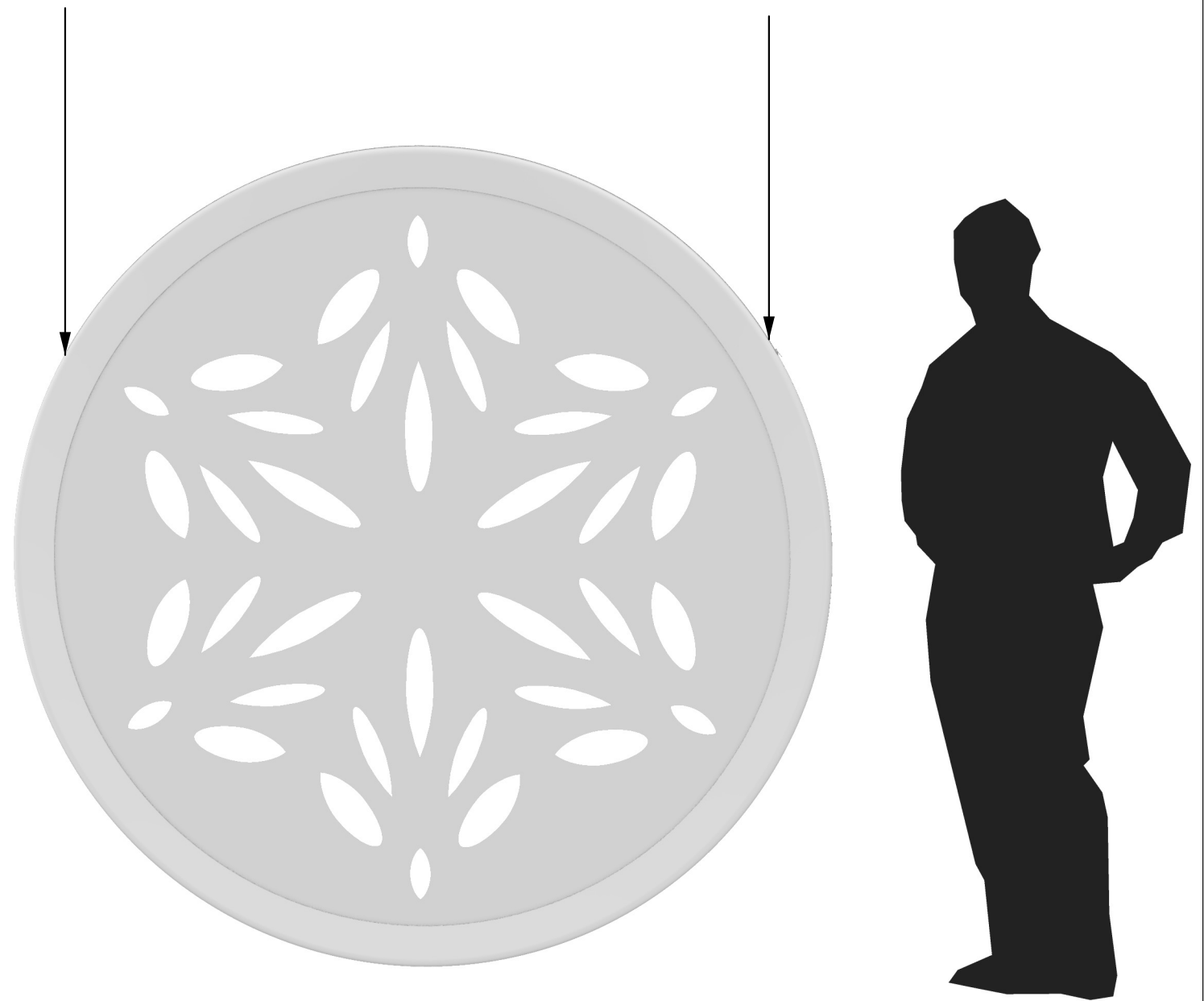
Finish applying the Holiday Full Moon to the frame by using the zipper enclosure to close the remaining length of the open pole pocket.



Perspective View

6

Apply your rigging hardware and admire your handywork.



Perspective View



**MOSS**  
WE ARE PLACE MAKERS™

THE DRAWINGS AND IMAGES DEPICTED HEREIN ARE FOR REPRESENTATIONAL AND CONCEPTUAL PURPOSES ONLY. THIS DOCUMENT IS NOT INTENDED FOR USE AS A CONSTRUCTION DOCUMENT AND DOES NOT SERVE AS A STRUCTURAL, MECHANICAL OR ENGINEERING GUIDELINE. THIS DOCUMENT DOES NOT CONSTITUTE ITSELF AS AN ENGINEERING DRAWING IN ANY OF THE UNITED STATES.

ALL STRUCTURES MUST ADHERE AND COMPLY WITH THE MOST STRICT LOCAL AND FEDERAL SAFETY/FIRE CODES AVAILABLE AT INSTALLATION SITE.

UNAUTHORIZED REPRODUCTION, DISTRIBUTION, AND/OR MISUSE OF THIS DOCUMENT IS PROHIBITED. MOSS INC. AND STRETCH SHAPES LLC. AND ITS DESIGNERS ASSUME NO RESPONSIBILITY FOR THE MISUSE OF THIS DOCUMENT.

# VISUAL USER GUIDE

*Holiday Full Moons - All Sizes  
Custom Installation Guide*

**S3**

Last Updated: 3/31/2025